

# DATA SHEET

## **TDA5630BT**

**9 V VHF and UHF mixer/oscillator  
for TV and VCR cable tuners**

Product specification  
Supersedes data of 1995 Mar 20  
File under Integrated Circuits, IC02

1996 Jun 06

## 9 V VHF and UHF mixer/oscillator for TV and VCR cable tuners

### TDA5630BT

#### FEATURES

- Balanced mixer with a common emitter input for band A (single input)
- 2-pin oscillator for band A
- Balanced mixer with a common base input for band C
- 3-pin oscillator for band C
- Local oscillator buffer output for external prescaler
- SAW filter preamplifier with a low output impedance to drive a SAW filter
- Band gap voltage stabilizer for oscillator stability
- Electronic band switch.

#### APPLICATIONS

- Cable tuners for TV and VCR (switched concept for VHF)
- Recommended RF bands for Europe:  
48.25 to 105.25 MHz, 112.25 to 294.25 MHz and 471.25 to 855.25 MHz
- Recommended RF bands for the USA:  
55.25 to 133.25 MHz, 139.25 to 361.25 MHz and 367.25 to 801.25 MHz.

#### GENERAL DESCRIPTION

The TDA5630BT is a monolithic integrated circuit that performs VHF and UHF mixer/oscillator functions in TV and VCR cable tuners. With a proper oscillator application and by using a switchable inductor to split the VHF band into two sub-bands, the full VHF/UHF TV bands can be covered. This low-power mixer/oscillator requires a power supply of 9 V and is available in a very small package.

The device gives the designer the capability to design an economical and physically small cable tuner.

The tuner development time can be drastically reduced by using this device.

Frequency bands are determined by the external tank circuit. They can be adapted to various standards.

#### QUICK REFERENCE DATA

SYMBOL	PARAMETER	CONDITIONS	MIN.	TYP.	MAX.	UNIT
$V_P$	supply voltage		–	9.0	–	V
$I_P$	supply current		–	48	–	mA
$f_{RF}$	frequency range (picture carrier)	RF input; band A; note 1	45	–	470	MHz
		RF input; band C; note 1	430	–	860	MHz
$G_V$	voltage gain	band A	–	25	–	dB
		band C	–	36	–	dB
NF	noise figure	band A	–	7.5	–	dB
		band C	–	9.0	–	dB
$V_o$	output voltage to get 1% cross modulation in channel	band A	–	118	–	dB $\mu$ V
		band C	–	120	–	dB $\mu$ V

#### Note

1. The limits are related to the tank circuits used in Fig.11 and the intermediate frequency. Frequency bands may be adjusted by the choice of external components.

#### ORDERING INFORMATION

TYPE NUMBER	PACKAGE		
	NAME	DESCRIPTION	VERSION
TDA5630BT	SO16	plastic small outline package; 16 leads; body width 3.9 mm	SOT109-1

9 V VHF and UHF mixer/oscillator for TV  
and VCR cable tuners

TDA5630BT

BLOCK DIAGRAM

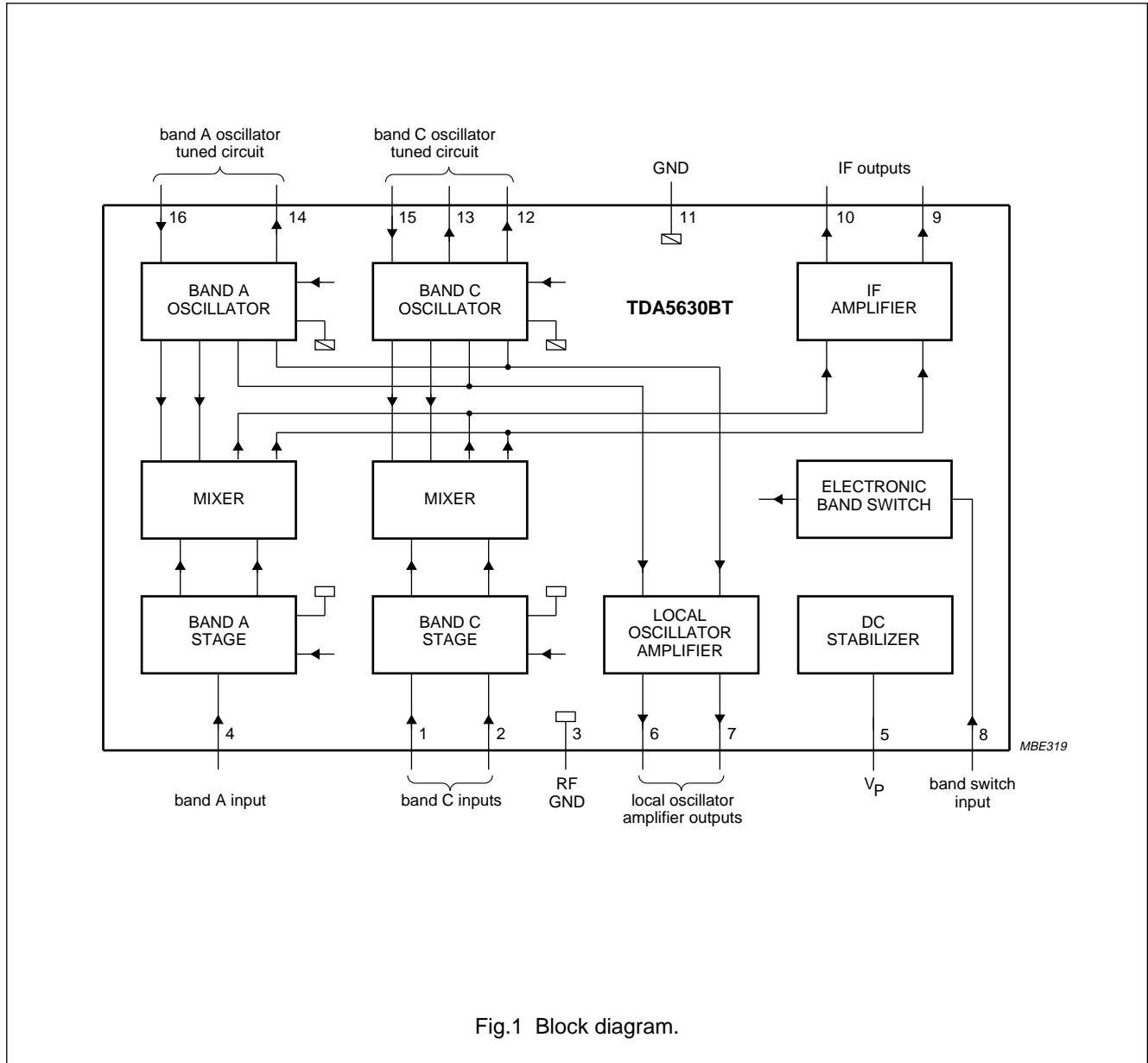


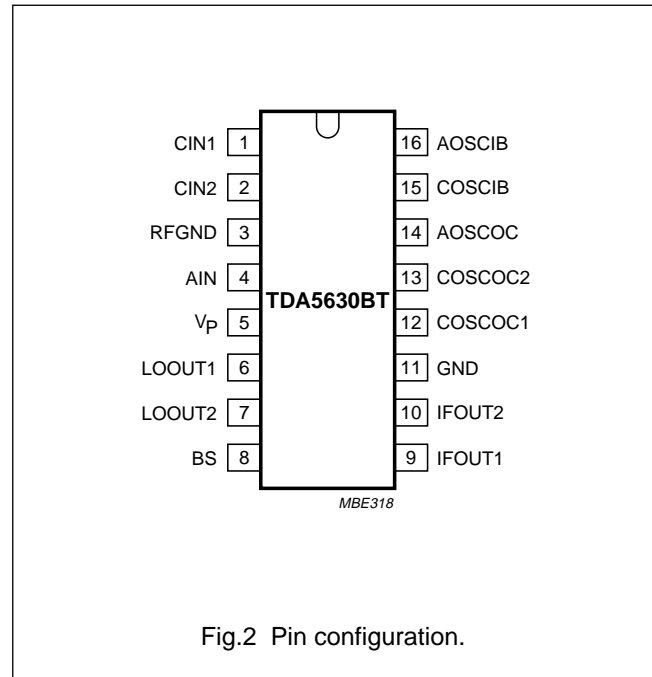
Fig.1 Block diagram.

# 9 V VHF and UHF mixer/oscillator for TV and VCR cable tuners

TDA5630BT

## PINNING

SYMBOL	PIN	DESCRIPTION
CIN1	1	band C input 1
CIN2	2	band C input 2
RFGND	3	ground for RF inputs
AIN	4	band A input
V <sub>P</sub>	5	supply voltage
LOOUT1	6	local oscillator amplifier output 1
LOOUT2	7	local oscillator amplifier output 2
BS	8	band switch input
IFOUT1	9	IF amplifier output 1
IFOUT2	10	IF amplifier output 2
GND	11	ground (0 V)
COSCOC1	12	band C oscillator output collector 1
COSCOC2	13	band C oscillator output collector 2
AOSCOC	14	band A oscillator output collector
COSCIB	15	band C oscillator input base
AOSCIB	16	band A oscillator input base



## LIMITING VALUES

In accordance with the Absolute Maximum Rating System (IEC 134).

SYMBOL	PARAMETER	MIN.	MAX.	UNIT
V <sub>P</sub>	supply voltage	-0.3	+10.5	V
V <sub>SW</sub>	switching voltage	0	10.5	V
I <sub>O</sub>	output current of each pin referenced to ground	-	-10	mA
t <sub>s(max)</sub>	maximum short-circuit time (all pins)	-	10	s
T <sub>stg</sub>	IC storage temperature	-55	+150	°C
T <sub>amb</sub>	operating ambient temperature	-10	+70	°C
T <sub>j</sub>	junction temperature	-	150	°C

## THERMAL CHARACTERISTICS

SYMBOL	PARAMETER	VALUE	UNIT
R <sub>th j-a</sub>	thermal resistance from junction to ambient in free air	115	K/W

## HANDLING

Human body model: the IC withstands 2000 V in accordance with the UZW-B0/FQ-A302 specification equivalent to the MIL-STD-883C category B (2000 V) (stress reference pins RFGND, GND and V<sub>P</sub> short-circuited together).

Machine model: the IC withstands 200 V in accordance with the UZW-B0/FQ-B302 specification (issue date: Nov 6<sup>th</sup>, 1990) (stress reference pins RFGND, GND and V<sub>P</sub> short-circuited together).

# 9 V VHF and UHF mixer/oscillator for TV and VCR cable tuners

TDA5630BT

**CHARACTERISTICS**

$V_P = 9\text{ V}$ ;  $T_{amb} = 25\text{ °C}$ ; measured in circuit of Fig.11; unless otherwise specified.

SYMBOL	PARAMETER	CONDITIONS	MIN.	TYP.	MAX.	UNIT
<b>Supply</b>						
$V_P$	supply voltage		8.1	9.0	9.9	V
$I_P$	supply current		35	48	55	mA
$V_{SW}$	switching voltage	band A	0	–	1.1	V
		band C	3.0	–	5.0	V
$I_{SW}$	switching current	band A	–	–	2	$\mu\text{A}$
		band C	–	–	10	$\mu\text{A}$
<b>Band A mixer including IF amplifier</b>						
$f_{RF}$	frequency range	note 1; $V_t = 0.45$ to $28\text{ V}$	45	–	300	MHz
$f_{max}$	maximum frequency	note 1	–	470	–	MHz
$G_V$	voltage gain	$f_{RF} = 50\text{ MHz}$ ; see Fig.3; note 2	22.5	25	27.5	dB
		$f_{RF} = 300\text{ MHz}$ ; see Fig.3; note 2	22.5	25	27.5	dB
		$f_{RF} = 470\text{ MHz}$ ; see Fig.3; note 2	–	25	–	dB
NF	noise figure	$f_{RF} = 50\text{ MHz}$ ; see Figs 4 and 5	–	7.5	8.5	dB
		$f_{RF} = 180\text{ MHz}$ ; see Figs 4 and 5	–	9	10	dB
		$f_{RF} = 300\text{ MHz}$ ; see Fig.5	–	10.5	11.5	dB
$V_o$	output voltage	causing 1% cross modulation in channel; $f_{RF} = 300\text{ MHz}$ ; see Fig.6	115	118	–	$\text{dB}\mu\text{V}$
$V_i$	input voltage	causing 10 kHz pulling in channel; $f_{RF} = 300\text{ MHz}$ ; note 3	–	104	–	$\text{dB}\mu\text{V}$
$g_{os}$	optimum source conductance for noise figure	$f_{RF} = 50\text{ MHz}$	–	0.5	–	mS
		$f_{RF} = 180\text{ MHz}$	–	1.1	–	mS
$g_i$	input conductance	$f_{RF} = 50\text{ MHz}$ ; see Fig.12; note 4	–	0.26	–	mS
		$f_{RF} = 180\text{ MHz}$ ; see Fig.12; note 4	–	0.35	–	mS
$C_i$	input capacitance	$f_{RF} = 50$ to $180\text{ MHz}$ ; see Fig.12; note 4	–	2	–	pF
<b>Band A oscillator</b>						
$f_{osc}$	frequency range	note 5; $V_t = 0.45$ to $28\text{ V}$	80	–	336	MHz
$f_{shift}$	frequency shift	$\Delta V_P = 10\%$ ; note 6	–	–	200	kHz
$f_{drift}$	frequency drift	$\Delta T = 25\text{ °C}$ with no compensation; NPO capacitors; note 7	–	–	500	kHz
		5 s to 15 min after switch on; with no compensation; NPO capacitors; note 8	–	500	950	kHz
		5 s to 15 min after switch on; with compensation; note 9	–	200	300	kHz

# 9 V VHF and UHF mixer/oscillator for TV and VCR cable tuners

TDA5630BT

SYMBOL	PARAMETER	CONDITIONS	MIN.	TYP.	MAX.	UNIT
<b>Band C mixer including IF amplifier; measurements using hybrid; note 10</b>						
$f_{RF}$	frequency range	$V_t = 0.45$ to 28 V; note 1	430	–	860	MHz
$G_v$	voltage gain	$f_{RF} = 430$ MHz; see Fig.7; note 2	33	36	39	dB
		$f_{RF} = 860$ MHz; see Fig.7; note 2	33	36	39	dB
NF	noise figure	not corrected for image	–	9	10	dB
		$f_{RF} = 430$ MHz; see Fig.8 $f_{RF} = 860$ MHz; see Fig.8	–	11	12	dB
$V_o$	output voltage	causing 1% cross modulation in channel	–	–	–	–
		$f_{RF} = 430$ MHz; see Fig.9 $f_{RF} = 860$ MHz; see Fig.9	116 116	120 120	– –	$\text{dB}\mu\text{V}$ $\text{dB}\mu\text{V}$
$V_i$	input voltage	causing 10 kHz pulling in channel; $f_{RF} = 860$ MHz; note 3	–	84	–	$\text{dB}\mu\text{V}$
		causing N + 5 - 1 MHz pulling; $f_{RF} = 820$ MHz; see Fig.10	–	63	–	$\text{dB}\mu\text{V}$
$Z_i$	input impedance ( $R_S + jL_S\omega$ )	$R_S$ at $f_{RF} = 430$ MHz; see Fig.13; note 4	–	40	–	$\Omega$
		$R_S$ at $f_{RF} = 860$ MHz; see Fig.13; note 4	–	53	–	$\Omega$
		$L_S$ at $f_{RF} = 430$ to 860 MHz; see Fig.13; note 4	–	9	–	nH
<b>Band C oscillator</b>						
$f_{osc}$	frequency range	note 5; $V_t = 0.45$ to 28 V	470	–	900	MHz
$f_{shift}$	frequency shift	$\Delta V_P = 10\%$ ; note 6	–	–	400	kHz
$f_{drift}$	frequency drift	$\Delta T = 25$ °C with no compensation; NPO capacitors; note 7	–	–	2.5	MHz
		5 s to 15 min after switch on; with no compensation; NPO capacitors; note 8	–	1000	1300	kHz
		5 s to 15 min after switch on; with compensation; note 9	–	550	950	kHz
<b>IF amplifier</b>						
$S_{22}$	output reflection coefficient	magnitude; see Fig.14; note 4	–	–10	–	dB
		phase; see Fig.14; note 4	–	9	–	°
$Z_o$	output impedance ( $R_S + jL_S\omega$ )	$R_S$ ; see Fig.14; note 4	–	95	–	$\Omega$
		$L_S$ ; see Fig.14; note 4	–	45	–	nH

# 9 V VHF and UHF mixer/oscillator for TV and VCR cable tuners

TDA5630BT

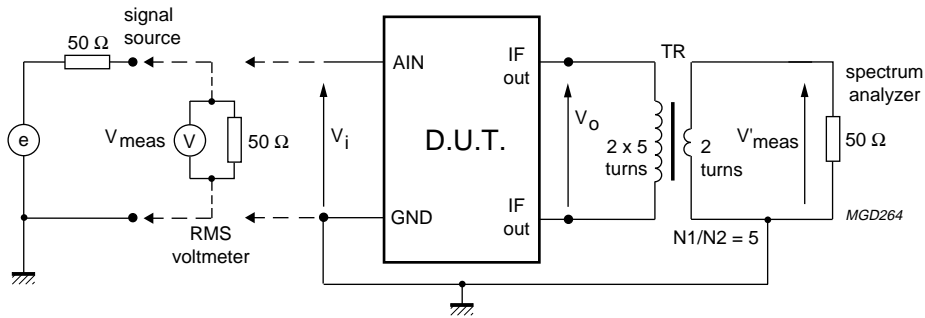
SYMBOL	PARAMETER	CONDITIONS	MIN.	TYP.	MAX.	UNIT
<b>LO output; <math>R_L = 100 \Omega</math></b>						
$Y_o$	output admittance ( $G_P + jC_P\omega$ )	$f_{osc} = 80 \text{ MHz}$ ; see Fig.15; note 4	–	2.5	–	mS
			–	0.9	–	pF
		$f_{osc} = 900 \text{ MHz}$ ; see Fig.15; note 4	–	3.5	–	mS
			–	0.7	–	pF
$V_o$	output voltage	$R_L = 100 \Omega$ ; $V_t = 0.45$ to $28 \text{ V}$	83	91	100	$\text{dB}\mu\text{V}$
SRF	spurious signal on LO output with respect to LO output signal	note 11	–	–	–10	$\text{dBc}$
SHD	LO signal harmonics with respect to LO signal		–	–	–10	$\text{dBc}$

### Notes to the characteristics

- The RF frequency range is defined by the oscillator frequency range and the intermediate frequency.
- The gain is defined as the transducer gain (measured in Fig.11) plus the voltage transformation ratio of L6 to L7 (10 : 2, 15.4 dB including transformer loss).
- The input level causing 10 kHz frequency detuning at the LO output.  $f_{osc} = f_{RF} + 33.4 \text{ MHz}$ .
- All s-parameters are referred to a  $50 \Omega$  system.
- Limits are related to the tank circuits used in Fig.11. Frequency bands may be adjusted by the choice of external components.
- The frequency shift is defined as the change in oscillator frequency when the supply voltage varies from  $V_P = 9$  to  $8.1 \text{ V}$  or from  $V_P = 9$  to  $9.9 \text{ V}$ .
- The frequency drift is defined as the change in oscillator frequency when the ambient temperature varies from  $T_{amb} = 25$  to  $0 \text{ }^\circ\text{C}$  or from  $25$  to  $50 \text{ }^\circ\text{C}$ . With no compensation, all capacitors are NP0.
- Switch on drift with no compensation is defined as the change of oscillator frequency between 5 s and 15 min after switch on. All capacitors are NP0.
- Switch on drift with compensation is defined as the change of oscillator frequency between 5 s and 15 min after switch on. C5 to C11 are N750; C1, C2 and C4 are N470.
- The values have been corrected for hybrid and cable losses. The symmetrical output impedance of the hybrid is  $100 \Omega$ .
- Measured with RF input voltage:
  - RF voltage =  $120 \text{ dB}\mu\text{V}$  at  $f_{RF} < 180 \text{ MHz}$ .
  - RF voltage =  $107.5 \text{ dB}\mu\text{V}$  at  $180 \text{ MHz} < f_{RF} < 225 \text{ MHz}$ .
  - RF voltage =  $97 \text{ dB}\mu\text{V}$  at  $225 \text{ MHz} < f_{RF} < 860 \text{ MHz}$ .

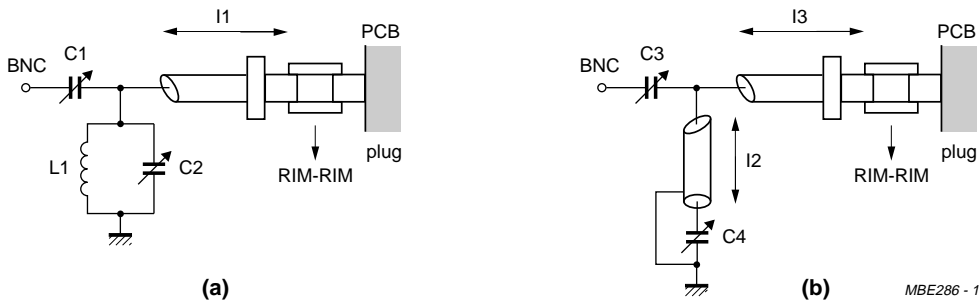
9 V VHF and UHF mixer/oscillator for TV and VCR cable tuners

TDA5630BT



$Z_{in} (AIN) \gg 50 \Omega \quad V_i = 2 \times V_{meas}$   
 $V_i = V_{meas} + 6 \text{ dB}$   
 $V_o = V'_{meas} + 15.4 \text{ dB}$  (transformer ratio  $N1/N2 = 5$  and transformer loss).  
 $G_v = 20 \log \left( \frac{V_o}{V_i} \right)$

Fig.3 Gain measurement in band A.



**(a) For  $f_{RF} = 50 \text{ MHz}$ :**  
 mixer A frequency response measured = 57 MHz, loss = 0 dB  
 image suppression = 16 dB  
 $C1 = 9 \text{ pF}$   
 $C2 = 15 \text{ pF}$   
 $L1 = 7 \text{ turns}$  (diameter = 5.5 mm, wire diameter = 0.5 mm)  
 $l1 = \text{semi rigid cable (RIM): } 5 \text{ cm long}$   
 (semi rigid cable (RIM); 33 dB/100 m; 50 Ω; 96 pF/m).

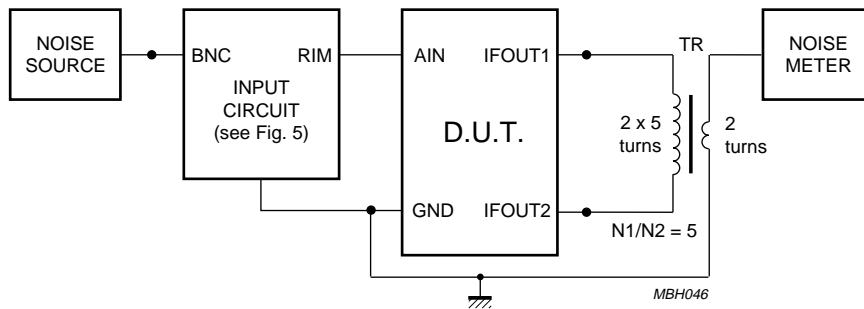
**(b) For  $f_{RF} = 150 \text{ MHz}$ :**  
 mixer A frequency response measured = 150.3 MHz, loss = 1.3 dB  
 image suppression = 13 dB  
 $C3 = 5 \text{ pF}$   
 $C4 = 25 \text{ pF}$   
 $l2 = \text{semi rigid cable (RIM): } 30 \text{ cm long}$   
 $l3 = \text{semi rigid cable (RIM): } 5 \text{ cm long}$   
 (semi rigid cable (RIM); 33 dB/100 m; 50 Ω; 96 pF/m).

Fig.4 Input circuit for optimum noise figure in band A.



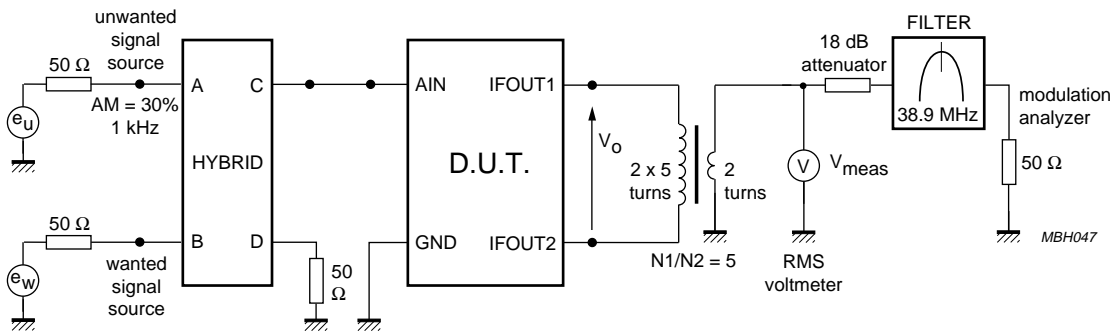
9 V VHF and UHF mixer/oscillator for TV and VCR cable tuners

TDA5630BT



(1)  $NF = NF_{meas} - \text{loss (input circuit) dB}$ .

Fig.5 Noise figure measurement in band A.



$V_{meas} = V_o - 15.4 \text{ dB}$  (transformer ratio  $N1/N2 = 5$  and transformer loss).

Wanted output signal at  $f_{RFW} = 300 \text{ MHz}$ :  $V_{ow} = 104 \text{ dB}\mu\text{V}$  ( $V_{meas} = 88.6 \text{ dB}\mu\text{V}$ ).

We measure the level of the unwanted signal  $V_{ou}$  causing 0.3% AM modulation in the wanted output signal;  $f_{RFU} = 305.5 \text{ MHz}$ .

$V_{ou} = V_{meas} + 15.4 \text{ dB}$ .

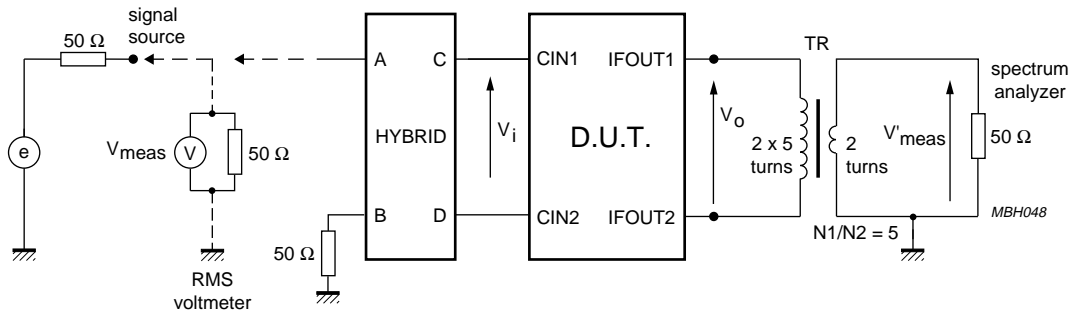
$f_{osc} = 338.9 \text{ MHz}$ .

Filter characteristics:  $f_c = 38.9 \text{ MHz}$ ;  $f_{-3\text{dB BW}} = 1.2 \text{ MHz}$ ;  $f_{-30\text{dB BW}} = 2.64 \text{ MHz}$ .

Fig.6 Cross modulation measurement in band A.

9 V VHF and UHF mixer/oscillator for TV and VCR cable tuners

TDA5630BT



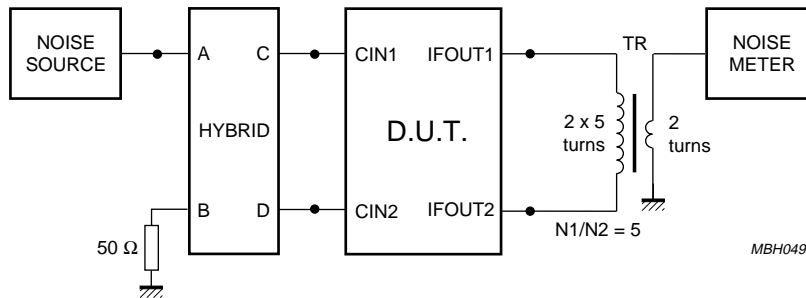
Loss of the hybrid: 1 dB.

$V_i = V_{meas} - \text{loss of the hybrid.}$

$V_o = V'_{meas} + 15.4 \text{ dB (transformer ratio } N1/N2 = 5 \text{ and transformer loss).}$

$$G_v = 20 \log \left( \frac{V_o}{V_i} \right)$$

Fig.7 Gain measurement in band C.



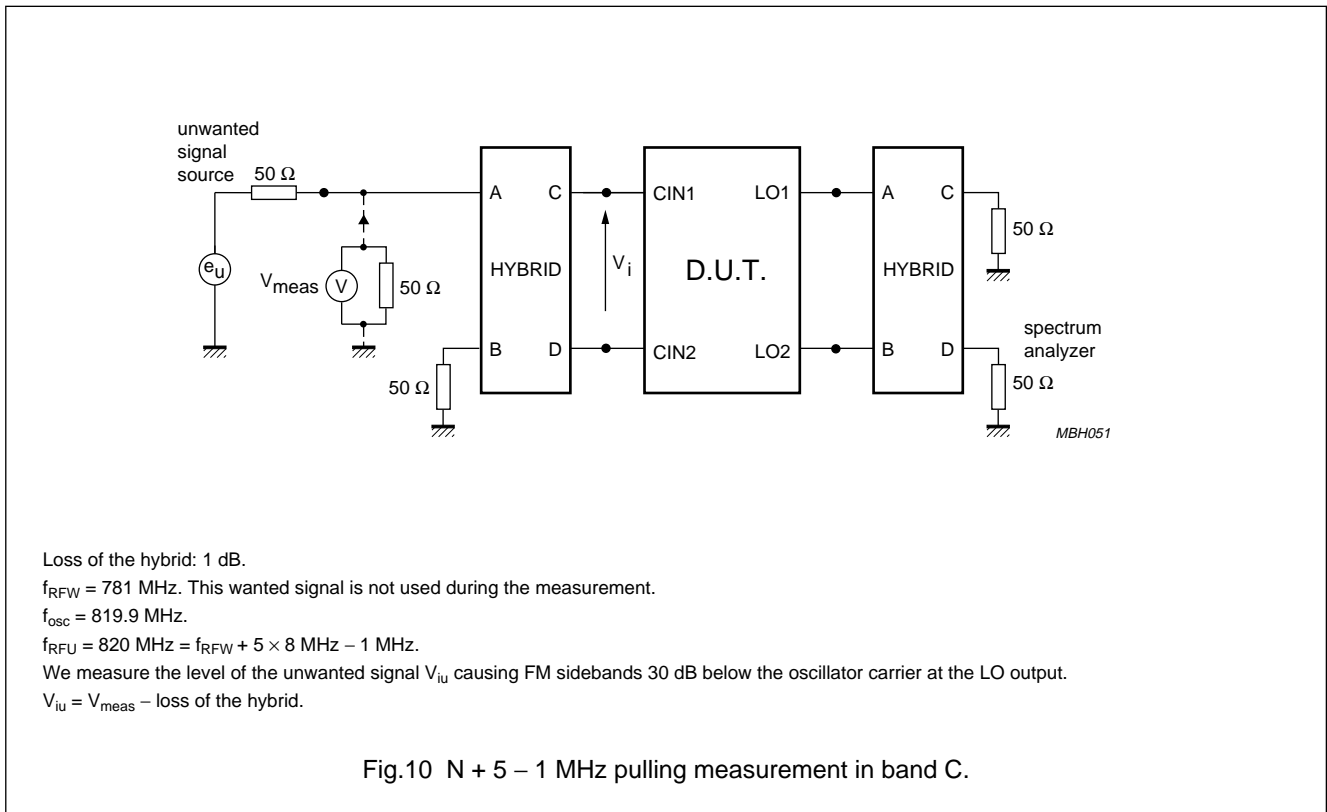
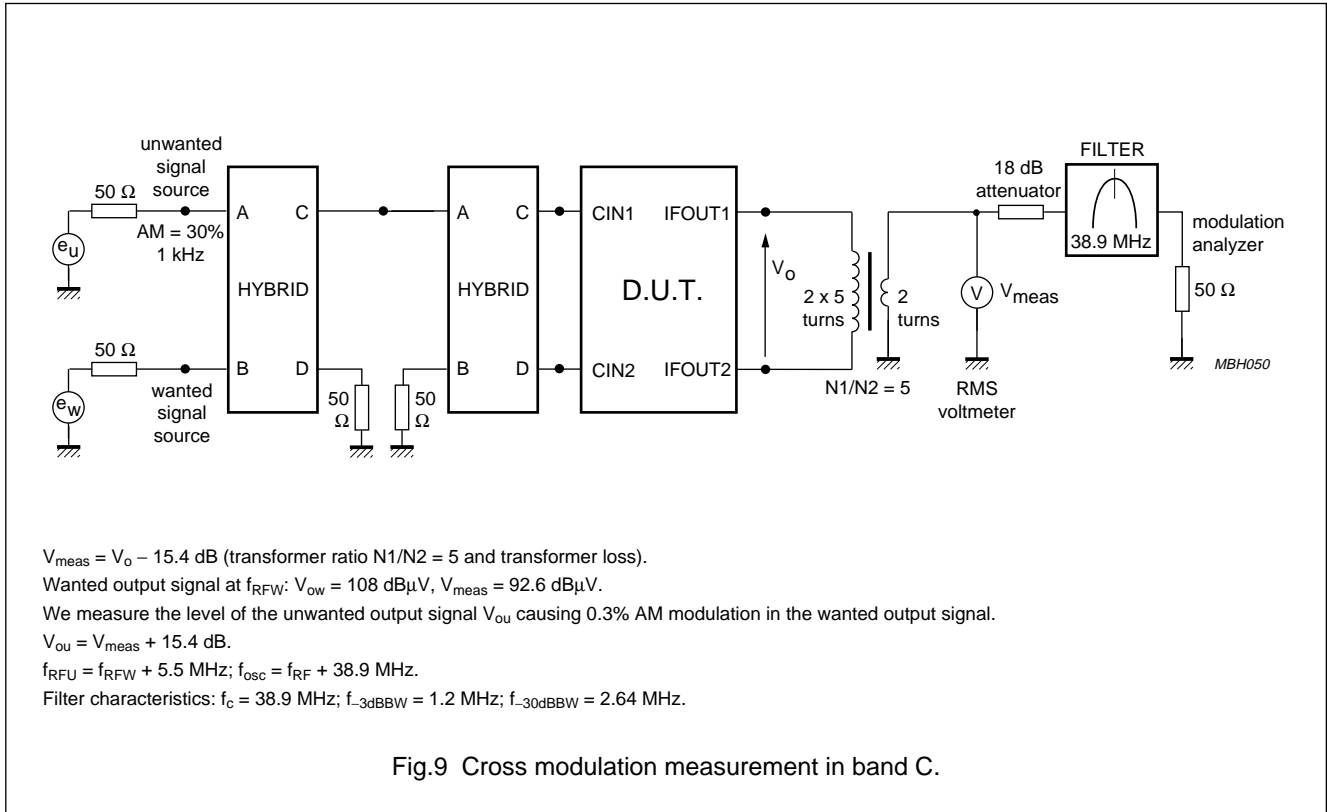
Loss of the hybrid: 1 dB.

$NF = NF_{meas} - \text{loss of the hybrid.}$

Fig.8 Noise figure measurement in band C.

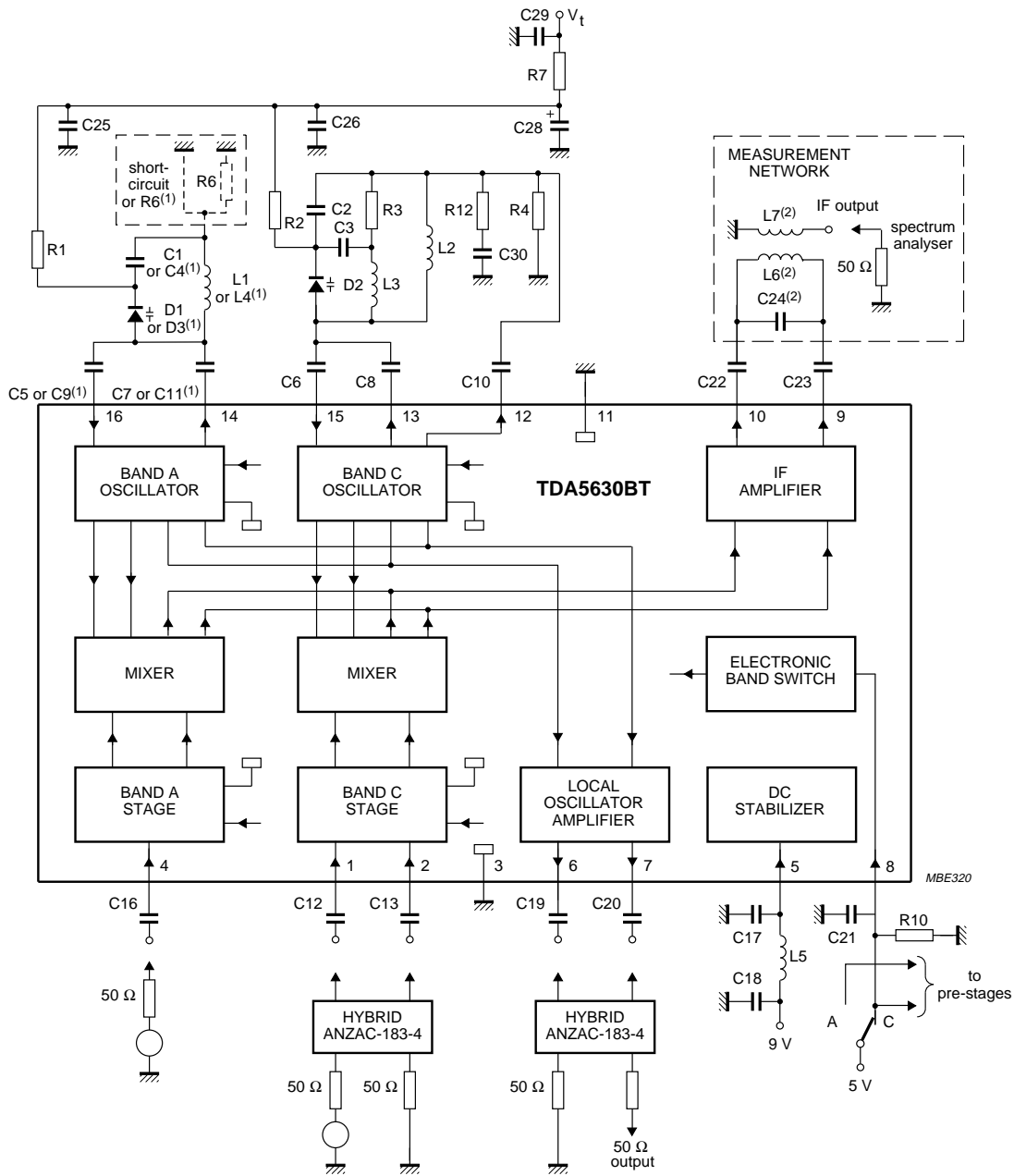
9 V VHF and UHF mixer/oscillator for TV and VCR cable tuners

TDA5630BT



9 V VHF and UHF mixer/oscillator for TV and VCR cable tuners

TDA5630BT



- (1) There are two applications for the band A oscillator:
  - from 80 to 216 MHz: the band A tank circuit is built with C1, D1, L1, C5 and C7. R6 is a short-circuit.
  - from 180 to 506 MHz: the band A tank circuit is built with R6, C4, D3, L4, C9 and C11.
- (2) L6, L7 and C24 are only required for measurement purposes; they are not used in a tuner.

Fig.11 Measurement circuit.

# 9 V VHF and UHF mixer/oscillator for TV and VCR cable tuners

TDA5630BT

## Component values for measurement circuit

**Table 1** Capacitors (all SMD and NP0 except C28)

COMPONENT	VALUE
C1	82 pF
C2	5.6 pF
C3	100 pF
C4	150 pF
C5	2.2 pF
C6	1 pF
C7	2.2 pF
C8	1 pF
C9	1.8 pF
C10	2.2 pF
C11	3.9 pF
C12	1 nF
C13	1 nF
C16	1 nF
C17	1.5 nF
C18	1.5 nF
C19	1 nF
C20	1 nF
C21	1.5 nF
C22	1 nF
C23	1 nF
C24	18 pF
C25	1.5 nF
C26	1.5 nF
C28	1 $\mu$ F; 40 V electrolytic
C29	1.5 nF
C30	0.56 pF

**Table 2** Resistors (all SMD)

COMPONENT	VALUE
R1	47 k $\Omega$
R2	22 k $\Omega$
R3	2.2 k $\Omega$
R4	22 k $\Omega$
R6	22 $\Omega$
R7	1 k $\Omega$
R12	470 $\Omega$

**Table 3** Diodes and IC

COMPONENT	VALUE
D1	BB911
D2	BB405 or BB215
D3	BB909 or BB219
IC	TDA5630BT

**Table 4** Coils (wire size 0.4 mm)

COMPONENT	VALUE
L1	7.5 turns; diameter 3 mm
L2	2.5 turns; diameter 3 mm
L3	1.5 turns; diameter 2.5 mm
L4	1.5 turns; diameter 4 mm
L5	4.7 $\mu$ H; choke coil

**Table 5** Transformers; note 1

COMPONENT	VALUE
L6	2 $\times$ 5 turns
L7	2 turns

### Note

- Coil type: TOKO 7 kN; material: 113 kN; screw core 03-0093; pot core 04-0026.

9 V VHF and UHF mixer/oscillator for TV  
and VCR cable tuners

TDA5630BT

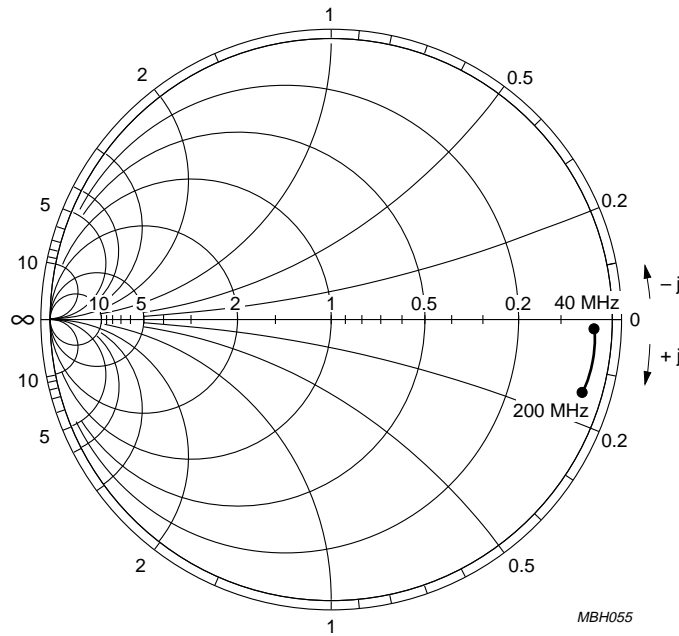


Fig.12 Input admittance ( $s_{11}$ ) of the band A mixer input (40 to 200 MHz);  $Y_0 = 20 \text{ mS}$ .

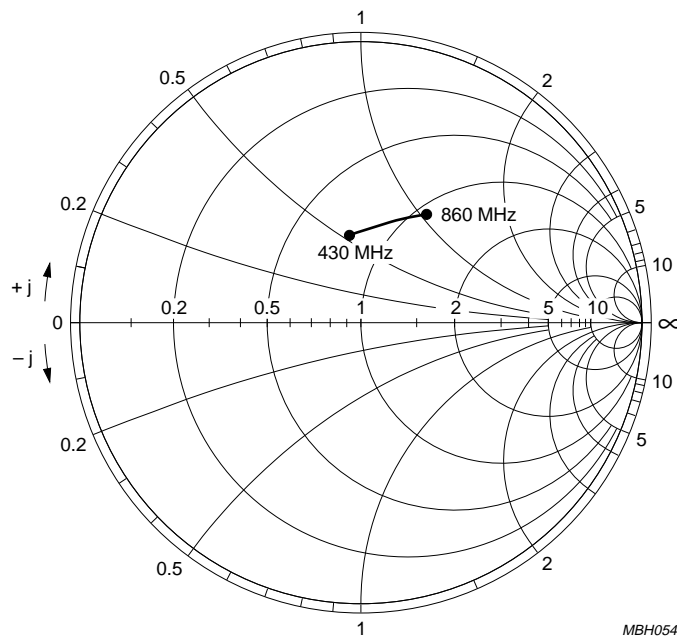


Fig.13 Input impedance ( $s_{11}$ ) of the band C mixer input (430 to 860 MHz);  $Z_0 = 50 \Omega$ .

9 V VHF and UHF mixer/oscillator for TV  
and VCR cable tuners

TDA5630BT

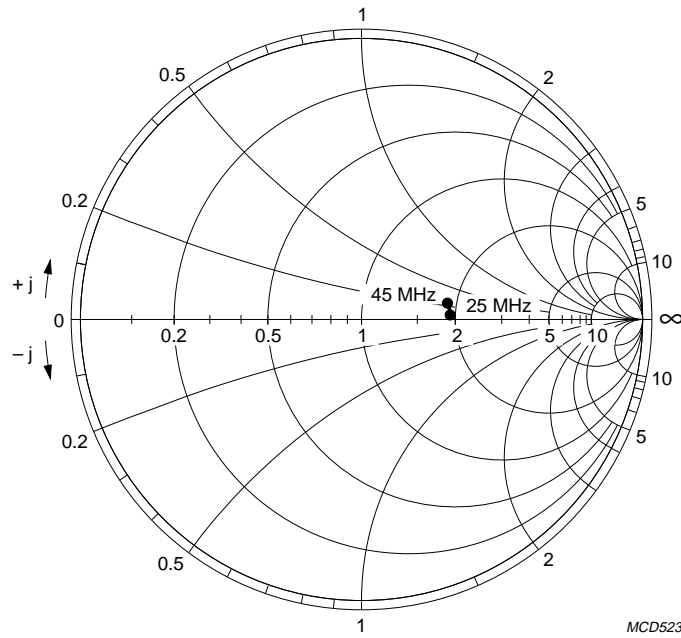


Fig.14 Output impedance ( $s_{22}$ ) of the IF amplifier (25 to 45 MHz);  $Z_0 = 50 \Omega$ .

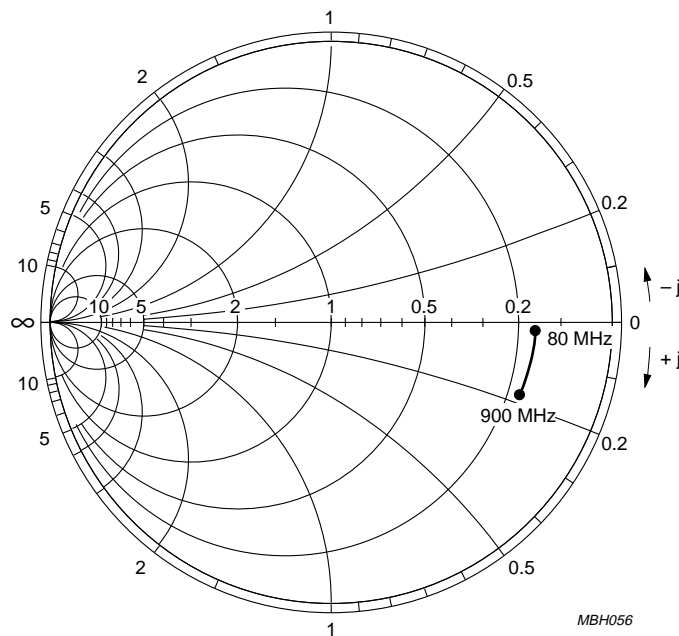
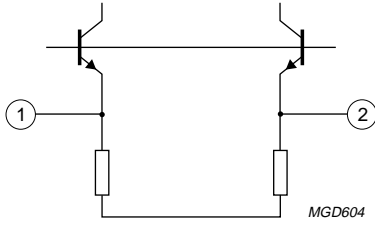
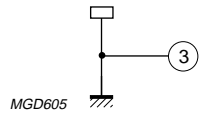
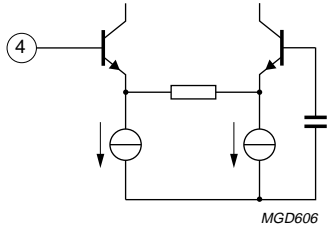
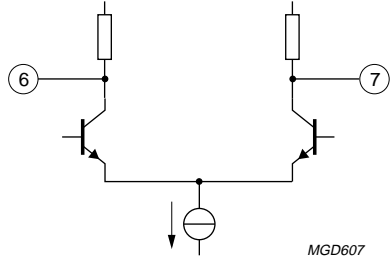
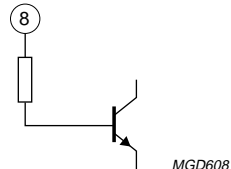


Fig.15 Output admittance ( $s_{22}$ ) of the LO output (80 to 900 MHz);  $Y_0 = 20 \text{ mS}$ .

9 V VHF and UHF mixer/oscillator for TV  
and VCR cable tuners

TDA5630BT

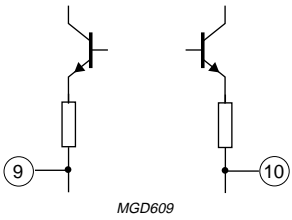
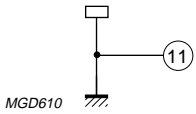
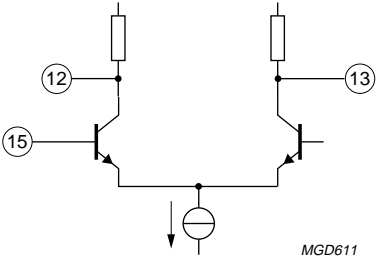
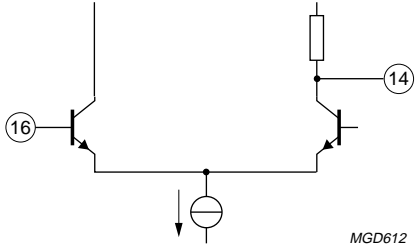
INTERNAL PIN CONFIGURATION

SYMBOL	PIN	DESCRIPTION	AVERAGE DC VOLTAGE IN (V) measured in circuit of Fig.11	
			BAND A	BAND C
CIN1	1		NR <sup>(1)</sup>	2.2
CIN2	2		NR <sup>(1)</sup>	2.2
RFGND	3		0.0	0.0
AIN	4		2.2	NR <sup>(1)</sup>
V <sub>P</sub>	5	supply voltage	9.0	9.0
LOOUT1	6		7.3	7.3
LOOUT2	7		7.3	7.3
BS	8		0.0	5.0



9 V VHF and UHF mixer/oscillator for TV  
and VCR cable tuners

TDA5630BT

SYMBOL	PIN	DESCRIPTION	AVERAGE DC VOLTAGE IN (V) measured in circuit of Fig.11	
			BAND A	BAND C
IFOUT1	9		4.0	4.0
IFOUT2	10		4.0	4.0
GND	11		0	0
COSCOC1	12		NR <sup>(1)</sup>	4.4
COSCOC2	13		NR <sup>(1)</sup>	4.4
COSCIB	15		NR <sup>(1)</sup>	2.3
AOSCOC	14		4.0	NR <sup>(1)</sup>
AOSCIB	16		2.2	NR <sup>(1)</sup>

Note

1. NR = not relevant.

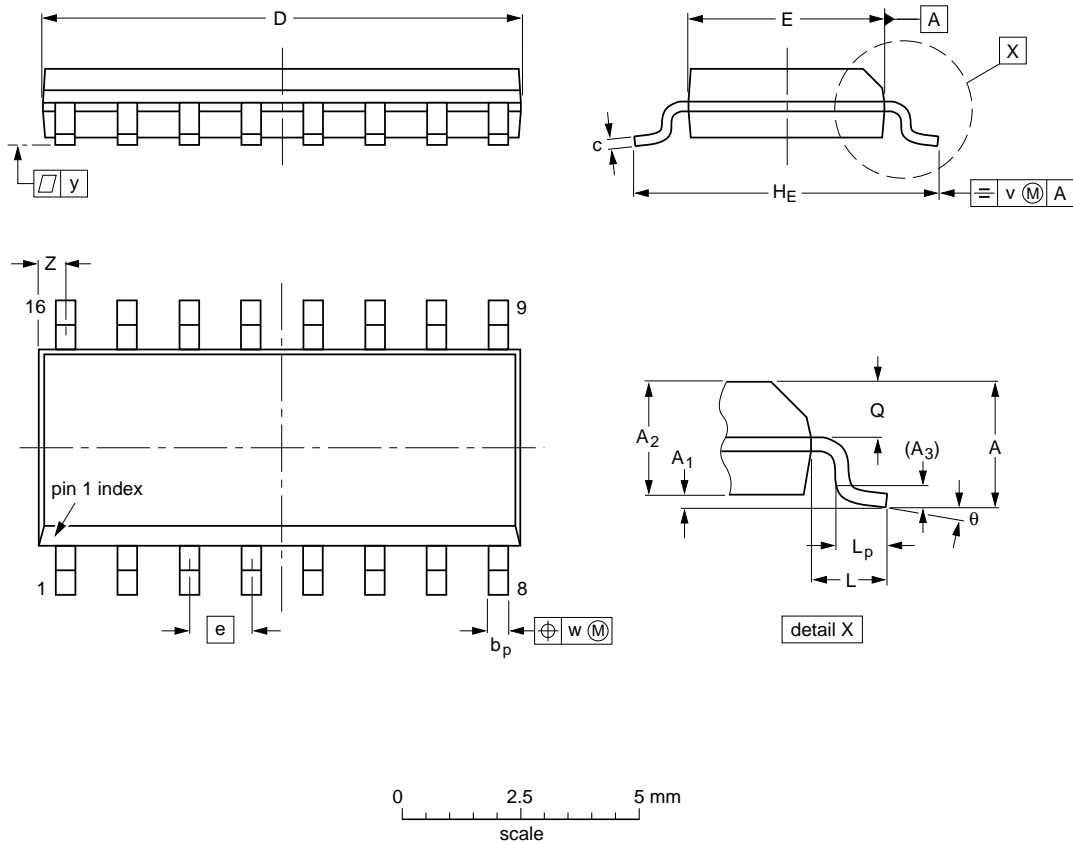
9 V VHF and UHF mixer/oscillator for TV  
and VCR cable tuners

TDA5630BT

PACKAGE OUTLINE

SO16: plastic small outline package; 16 leads; body width 3.9 mm

SOT109-1



DIMENSIONS (inch dimensions are derived from the original mm dimensions)

UNIT	A max.	A <sub>1</sub>	A <sub>2</sub>	A <sub>3</sub>	b <sub>p</sub>	c	D <sup>(1)</sup>	E <sup>(1)</sup>	e	H <sub>E</sub>	L	L <sub>p</sub>	Q	v	w	y	z <sup>(1)</sup>	θ
mm	1.75	0.25 0.10	1.45 1.25	0.25	0.49 0.36	0.25 0.19	10.0 9.8	4.0 3.8	1.27	6.2 5.8	1.05	1.0 0.4	0.7 0.6	0.25	0.25	0.1	0.7 0.3	8° 0°
inches	0.069	0.0098 0.0039	0.057 0.049	0.01	0.019 0.014	0.0098 0.0075	0.39 0.38	0.16 0.15	0.050	0.24 0.23	0.041	0.039 0.016	0.028 0.020	0.01	0.01	0.004	0.028 0.012	

Note

1. Plastic or metal protrusions of 0.15 mm maximum per side are not included.

OUTLINE VERSION	REFERENCES				EUROPEAN PROJECTION	ISSUE DATE
	IEC	JEDEC	EIAJ			
SOT109-1	076E07S	MS-012AC				91-08-13 95-01-23

## 9 V VHF and UHF mixer/oscillator for TV and VCR cable tuners

TDA5630BT

### SOLDERING

#### Introduction

There is no soldering method that is ideal for all IC packages. Wave soldering is often preferred when through-hole and surface mounted components are mixed on one printed-circuit board. However, wave soldering is not always suitable for surface mounted ICs, or for printed-circuits with high population densities. In these situations reflow soldering is often used.

This text gives a very brief insight to a complex technology. A more in-depth account of soldering ICs can be found in our "*IC Package Databook*" (order code 9398 652 90011).

#### Reflow soldering

Reflow soldering techniques are suitable for all SO packages.

Reflow soldering requires solder paste (a suspension of fine solder particles, flux and binding agent) to be applied to the printed-circuit board by screen printing, stencilling or pressure-syringe dispensing before package placement.

Several techniques exist for reflowing; for example, thermal conduction by heated belt. Dwell times vary between 50 and 300 seconds depending on heating method. Typical reflow temperatures range from 215 to 250 °C.

Preheating is necessary to dry the paste and evaporate the binding agent. Preheating duration: 45 minutes at 45 °C.

#### Wave soldering

Wave soldering techniques can be used for all SO packages if the following conditions are observed:

- A double-wave (a turbulent wave with high upward pressure followed by a smooth laminar wave) soldering technique should be used.
- The longitudinal axis of the package footprint must be parallel to the solder flow.
- The package footprint must incorporate solder thieves at the downstream end.

During placement and before soldering, the package must be fixed with a droplet of adhesive. The adhesive can be applied by screen printing, pin transfer or syringe dispensing. The package can be soldered after the adhesive is cured.

Maximum permissible solder temperature is 260 °C, and maximum duration of package immersion in solder is 10 seconds, if cooled to less than 150 °C within 6 seconds. Typical dwell time is 4 seconds at 250 °C.

A mildly-activated flux will eliminate the need for removal of corrosive residues in most applications.

#### Repairing soldered joints

Fix the component by first soldering two diagonally-opposite end leads. Use only a low voltage soldering iron (less than 24 V) applied to the flat part of the lead. Contact time must be limited to 10 seconds at up to 300 °C. When using a dedicated tool, all other leads can be soldered in one operation within 2 to 5 seconds between 270 and 320 °C.

---

**9 V VHF and UHF mixer/oscillator for TV  
and VCR cable tuners**


---

**TDA5630BT****DEFINITIONS**

<b>Data sheet status</b>	
Objective specification	This data sheet contains target or goal specifications for product development.
Preliminary specification	This data sheet contains preliminary data; supplementary data may be published later.
Product specification	This data sheet contains final product specifications.
<b>Limiting values</b>	
Limiting values given are in accordance with the Absolute Maximum Rating System (IEC 134). Stress above one or more of the limiting values may cause permanent damage to the device. These are stress ratings only and operation of the device at these or at any other conditions above those given in the Characteristics sections of the specification is not implied. Exposure to limiting values for extended periods may affect device reliability.	
<b>Application information</b>	
Where application information is given, it is advisory and does not form part of the specification.	

**LIFE SUPPORT APPLICATIONS**

These products are not designed for use in life support appliances, devices, or systems where malfunction of these products can reasonably be expected to result in personal injury. Philips customers using or selling these products for use in such applications do so at their own risk and agree to fully indemnify Philips for any damages resulting from such improper use or sale.

---

9 V VHF and UHF mixer/oscillator for TV  
and VCR cable tuners

---

TDA5630BT

**NOTES**

---

9 V VHF and UHF mixer/oscillator for TV  
and VCR cable tuners

---

TDA5630BT

**NOTES**

---

9 V VHF and UHF mixer/oscillator for TV  
and VCR cable tuners

---

TDA5630BT

**NOTES**

# Philips Semiconductors – a worldwide company

**Argentina:** see South America

**Australia:** 34 Waterloo Road, NORTH RYDE, NSW 2113,  
Tel. +61 2 805 4455, Fax. +61 2 805 4466

**Austria:** Computerstr. 6, A-1101 WIEN, P.O. Box 213,  
Tel. +43 1 60 101, Fax. +43 1 60 101 1210

**Belarus:** Hotel Minsk Business Center, Bld. 3, r. 1211, Volodarski Str. 6,  
220050 MINSK, Tel. +375 172 200 733, Fax. +375 172 200 773

**Belgium:** see The Netherlands

**Brazil:** see South America

**Bulgaria:** Philips Bulgaria Ltd., Energoproject, 15th floor,  
51 James Bourchier Blvd., 1407 SOFIA,  
Tel. +359 2 689 211, Fax. +359 2 689 102

**Canada:** PHILIPS SEMICONDUCTORS/COMPONENTS,  
Tel. +1 800 234 7381, Fax. +1 708 296 8556

**China/Hong Kong:** 501 Hong Kong Industrial Technology Centre,  
72 Tat Chee Avenue, Kowloon Tong, HONG KONG,  
Tel. +852 2319 7888, Fax. +852 2319 7700

**Colombia:** see South America

**Czech Republic:** see Austria

**Denmark:** Prags Boulevard 80, PB 1919, DK-2300 COPENHAGEN S,  
Tel. +45 32 88 2636, Fax. +45 31 57 1949

**Finland:** Sinikalliontie 3, FIN-02630 ESPOO,  
Tel. +358 615 800, Fax. +358 615 80920

**France:** 4 Rue du Port-aux-Vins, BP317, 92156 SURESNES Cedex,  
Tel. +33 1 40 99 6161, Fax. +33 1 40 99 6427

**Germany:** Hammerbrookstraße 69, D-20097 HAMBURG,  
Tel. +49 40 23 52 60, Fax. +49 40 23 536 300

**Greece:** No. 15, 25th March Street, GR 17778 TAVROS,  
Tel. +30 1 4894 339/911, Fax. +30 1 4814 240

**Hungary:** see Austria

**India:** Philips INDIA Ltd, Shivsagar Estate, A Block, Dr. Annie Besant Rd.  
Worli, MUMBAI 400 018, Tel. +91 22 4938 541, Fax. +91 22 4938 722

**Indonesia:** see Singapore

**Ireland:** Newstead, Clonskeagh, DUBLIN 14,  
Tel. +353 1 7640 000, Fax. +353 1 7640 200

**Israel:** RAPAC Electronics, 7 Kehilat Saloniki St, TEL AVIV 61180,  
Tel. +972 3 645 0444, Fax. +972 3 648 1007

**Italy:** PHILIPS SEMICONDUCTORS, Piazza IV Novembre 3,  
20124 MILANO, Tel. +39 2 6752 2531, Fax. +39 2 6752 2557

**Japan:** Philips Bldg 13-37, Kohnan 2-chome, Minato-ku, TOKYO 108,  
Tel. +81 3 3740 5130, Fax. +81 3 3740 5077

**Korea:** Philips House, 260-199 Itaewon-dong, Yongsan-ku, SEOUL,  
Tel. +82 2 709 1412, Fax. +82 2 709 1415

**Malaysia:** No. 76 Jalan Universiti, 46200 PETALING JAYA, SELANGOR,  
Tel. +60 3 750 5214, Fax. +60 3 757 4880

**Mexico:** 5900 Gateway East, Suite 200, EL PASO, TEXAS 79905,  
Tel. +1 800 234 7381, Fax. +1 708 296 8556

**Middle East:** see Italy

**Netherlands:** Postbus 90050, 5600 PB EINDHOVEN, Bldg. VB,  
Tel. +31 40 27 83749, Fax. +31 40 27 88399

**New Zealand:** 2 Wagener Place, C.P.O. Box 1041, AUCKLAND,  
Tel. +64 9 849 4160, Fax. +64 9 849 7811

**Norway:** Box 1, Manglerud 0612, OSLO,  
Tel. +47 22 74 8000, Fax. +47 22 74 8341

**Philippines:** Philips Semiconductors Philippines Inc.,  
106 Valero St. Salcedo Village, P.O. Box 2108 MCC, MAKATI,  
Metro MANILA, Tel. +63 2 816 6380, Fax. +63 2 817 3474

**Poland:** Ul. Lukiska 10, PL 04-123 WARSZAWA,  
Tel. +48 22 612 2831, Fax. +48 22 612 2327

**Portugal:** see Spain

**Romania:** see Italy

**Russia:** Philips Russia, Ul. Usatcheva 35A, 119048 MOSCOW,  
Tel. +7 095 926 5361, Fax. +7 095 564 8323

**Singapore:** Lorong 1, Toa Payoh, SINGAPORE 1231,  
Tel. +65 350 2538, Fax. +65 251 6500

**Slovakia:** see Austria

**Slovenia:** see Italy

**South Africa:** S.A. PHILIPS Pty Ltd., 195-215 Main Road Martindale,  
2092 JOHANNESBURG, P.O. Box 7430 Johannesburg 2000,  
Tel. +27 11 470 5911, Fax. +27 11 470 5494

**South America:** Rua do Rocio 220 - 5th floor, Suite 51,  
CEP: 04552-903-SÃO PAULO-SP, Brazil, P.O. Box 7383 (01064-970),  
Tel. +55 11 821 2333, Fax. +55 11 829 1849

**Spain:** Balmes 22, 08007 BARCELONA,  
Tel. +34 3 301 6312, Fax. +34 3 301 4107

**Sweden:** Kottbygatan 7, Akalla, S-16485 STOCKHOLM,  
Tel. +46 8 632 2000, Fax. +46 8 632 2745

**Switzerland:** Allmendstrasse 140, CH-8027 ZÜRICH,  
Tel. +41 1 488 2686, Fax. +41 1 481 7730

**Taiwan:** PHILIPS TAIWAN Ltd., 23-30F, 66,  
Chung Hsiao West Road, Sec. 1, P.O. Box 22978,  
TAIPEI 100, Tel. +886 2 382 4443, Fax. +886 2 382 4444

**Thailand:** PHILIPS ELECTRONICS (THAILAND) Ltd.,  
209/2 Sanpavuth-Bangna Road Prakanong, BANGKOK 10260,  
Tel. +66 2 745 4090, Fax. +66 2 398 0793

**Turkey:** Talatpasa Cad. No. 5, 80640 GÜLTEPE/ISTANBUL,  
Tel. +90 212 279 2770, Fax. +90 212 282 6707

**Ukraine:** PHILIPS UKRAINE, 2A Akademika Koroleva str., Office 165,  
252148 KIEV, Tel. +380 44 476 0297/1642, Fax. +380 44 476 6991

**United Kingdom:** Philips Semiconductors Ltd., 276 Bath Road, Hayes,  
MIDDLESEX UB3 5BX, Tel. +44 181 730 5000, Fax. +44 181 754 8421

**United States:** 811 East Arques Avenue, SUNNYVALE, CA 94088-3409,  
Tel. +1 800 234 7381, Fax. +1 708 296 8556

**Uruguay:** see South America

**Vietnam:** see Singapore

**Yugoslavia:** PHILIPS, Trg N. Pasica 5/v, 11000 BEOGRAD,  
Tel. +381 11 825 344, Fax. +381 11 635 777

**For all other countries apply to:** Philips Semiconductors, Marketing & Sales Communications, Building BE-p, P.O. Box 218, 5600 MD EINDHOVEN, The Netherlands, Fax. +31 40 27 24825

**Internet:** <http://www.semiconductors.philips.com/ps/>

© Philips Electronics N.V. 1996

SCA49

All rights are reserved. Reproduction in whole or in part is prohibited without the prior written consent of the copyright owner.

The information presented in this document does not form part of any quotation or contract, is believed to be accurate and reliable and may be changed without notice. No liability will be accepted by the publisher for any consequence of its use. Publication thereof does not convey nor imply any license under patent- or other industrial or intellectual property rights.

Printed in The Netherlands

537021/50/02/pp24

Date of release: 1996 Jun 06

Document order number: 9397 750 00893

*Let's make things better.*

**Philips  
Semiconductors**



**PHILIPS**